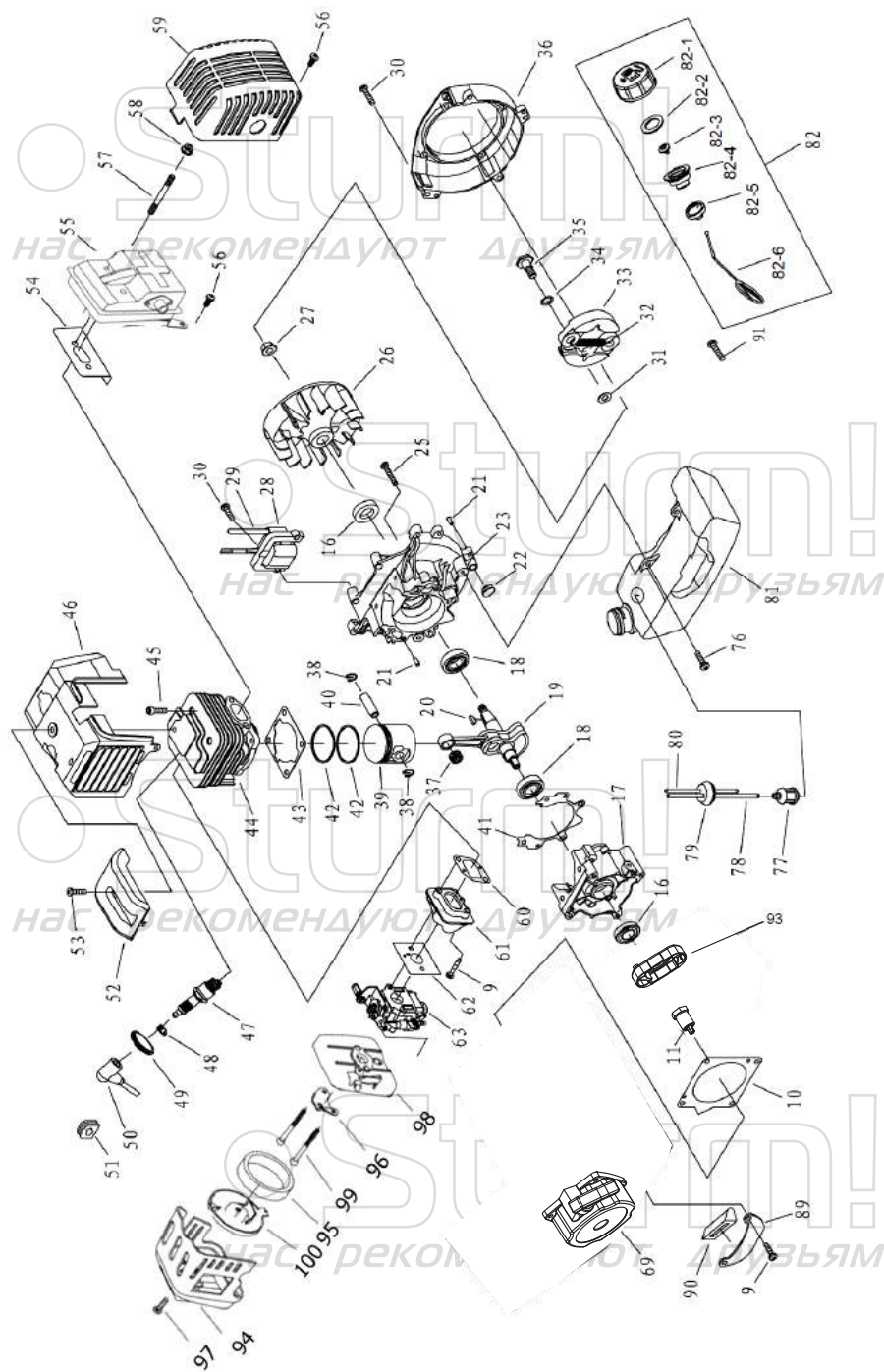


## BT9152ES

NO.	DESCRIPTION	NO.	DESCRIPTION	NO.	DESCRIPTION
1	GEAR CASE ASSY	31	HARNES CLAMP	61	HAND GRIP
2	STOP RING	32	CLAMP	62	SPRING
3	STOP RING	33	SCREW M5X20	63	BOX RIGHT
4	BEARING 6000Z	34	NUT M5	64	SCREW ST2.9X18
5	PINION	35	CLUTCH COMP	65	SCREW M5X30
6	STEEL PLATE	36	CLUTCH DRUM COMP	66	CABLE COMP
7	CAPSCREW M5X20	37	STOP RING	67	TUBE
8	WASHER	38	BEARING 6202	68	STOP BUTTON COMP
9	SCREW M5X12	39	STOP RING	69	HAND GRIP
10	BOLT M6X12	40	UNKER	70	SPRING
11	WASHER	41	RUBBER COVER	71	BOX LEFT
12	GEAR CASE	42	SCREW M5X20	72	NYLON CUTTER HAND
13	BLADE COVER	43	SCREW M5X12	73	CASE
14	BEARING 6000Z	44	STOP RING	74	LEFT NUT
15	GEAR	46	CLAMP	75	WASHER
16	SHAFT	47	WIRE CLAMP BAND	76	SPRING
17	BEARING6002	48	HARNES ASSY	77	NYLON CORD
18	STOP RING	49	BOLT M5X25	78	CORD HOLDER
19	HOLDER	50	CAPLOWER	79	PLATEN
20	HOLDER	51	BRACKET	80	COVER
21	HOLDER	52	HANDLE	81	BRACKET
22	LEFT NUT	53	GRIP LEFT	82	SCREW M5X30
24	BLADE	54	CAP OPPER	83	SAFETY GUARD
25	PIPE COMP	55	HANDLE	84	WASHER
26	RUBBER COVER	56	LEVER ASSY	85	SCREW M5X16
27	OIL BEARING	57	SCREW ST2.9X13	87	GUARD
28	DRIVE SHAFT	58	BUTTON	88	BLADE
29	PIPE	59	SPRING	89	GUARD ASSY
30	HOLDER ASSY	60	CLOCK PIN		

ST-RU20191216

Sturm!  
нас рекомендуют друзья



## ENGINE FOR BT9152ES

NO.	DESCRIPTION	NO.	DESCRIPTION	NO.	DESCRIPTION
9	SCREW M5X20	44	CYLINDER	82-3	INLET
10	GASKET	45	SCREW	82-4	INSIDE COVER
11	E-START LINK	46	GUIDE COVER ASSY	82-5	LID
16	OIL SEAL	47	SPARK PLUG	82-6	CHAIN
17	CRANK CASE	48	SPRING	89	STAND
18	BEARING 6202	49	PLUG COVER	90	RUBBER COVER
19	CRANKSHAFT	50	PLUG CAP	91	SCREW M5X20
20	KEY	51	PLUG	93	STARTER PULLEY ASSY
21	PIN	52	UPPER COVER	94	AIRFILTER COVER
22	RUBBER WASHER	53	SCREW	95	AIR CLEANER
23	CRANK CASE	54	GASKET	96	AIRFILTER COVER SEAT
25	SCREW M5X30	55	MUFFLER	97	SCREW
26	MAGNETO ROTOR COMP	56	SCREW	98	CHOKE SEAT ASSY
27	NUT	57	BOLT	99	SCREW
28	IGNITION COLL COMP	58	NUT	100	CIRCULAR COVER
29	CORD COMP	59	MUFFLER COVER		
30	BOLT M5X20	60	GASKET		
31	WASHER	61	ADMITTING PIPE		
32	SPRING	62	GASKET		
33	EXPANDER	63	CARBURETOR		
34	WASHER	69	E-STARTER		
35	SCREW PIN	76	SCREW M5X16		
36	FAN COVER	77	CLEANER COVER		
37	BEARING 10X14X16	78	OUTLET FUEL PIPE		
38	RING	79	PLUG		
39	PISTON	80	INLET FUEL PIPE		
40	PISTON PIN	81	FUEL TANK		
41	GASKET	82	LID ASSY		
42	PISTON RING	82-1	FUEL TANK LID		
43	GASKET	82-2	GASKET		

ST-RU20191216

**Sturm!**  
нас рекомендуют друзья